

Full bore Inline Magmeter

8051 / 8055 / 8056

DN03...DN150

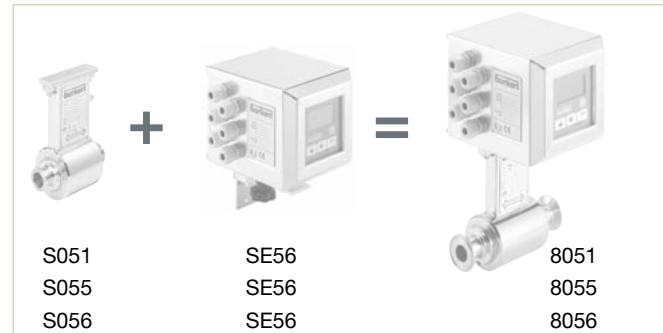
- High frequency sampling
- Flow or Batch Control
- Compact or remote version
- 3 different electronics can be connected to 3 different types of sensor fittings



Shown is the remote flanged sensor fitting and the hygienic clamp compact version

These full bore magflowmeters accurately measure the flow of liquids with conductivities as low as 5 µS/cm with or without solids. Varied application environments such as water, wastewater, sludge, slurries, pastes, acids, alkalis, juices, fruit pulp can easily be handled. This extremely robust, time tested design incorporates the latest electronics and when combined with a valve as the actuating element they can control high-precision dosing operations.

System Architecture



Technical data

	8051	8055	8056
Pipe diameter	DN03...DN20	DN25...DN200 (to DN2000 on request)	DN03...DN100
Measuring range	0...10 l/h to 0...12500 l/h	0...0.72 m³/h to 0...1130 m³/h	0...10 l/h to 0...280 m³/h
Process connection	Thread ISO 228-1, NPT (DIN 11851, SMS 1145, Clamp ISO 2852 or BS 4825, Flanges DIN 2501, ANSI on request)	S054: wafer - S055: Flange EN1092-1, ANSI B16.5, (JIS on request)	DIN11851, Clamp ISO2852 or Clamp BS4825 (SMS1146 (from DN10) on request)
Fluid temperature	Data sheet; see Type 8051 ▶	Data sheet; see Type 8055 ▶	Data sheet; see Type 8056 ▶
Fluid pressure max.	PN16 or (PN40, on request)	PN16 (with PP lining) or (up to PN64 (with Ebonite or PTFE lining) on request)	PN16
Vacuum resistance	200 mbar absolute at 100 °C	200 mbar absolute at 100 °C	200 mbar absolute at 100 °C
Measurement deviation¹⁾	±0.2 % of reading (SE56 standard; SE56 blind) ±0.8 % of reading (SE56 basic)	±0.2 % of reading (SE56 standard; SE56 blind) ±0.8 % of reading (SE56 basic)	±0.2 % of reading (SE56 standard; SE56 blind) ±0.8 % of reading (SE56 basic)
Repeatability	±0.1 % (SE56 standard; SE56 blind) ±0.2 % (SE56 basic)	±0.1 % (SE56 standard; SE56 blind) ±0.2 % (SE56 basic)	±0.1 % (SE56 standard; SE56 blind) ±0.2 % (SE56 basic)
Minimum conductivity	5 µS/cm (or 20 µS/cm with demineralized water)	5 µS/cm (or 20 µS/cm with demineralized water)	5 µS/cm (or 20 µS/cm with demineralized water)
Environment			
Ambient temperature with			
SE56 standard	-20...60 °C (operating and storage)	-20...60 °C (operating and storage)	-20...60 °C (operating and storage)
SE56 basic	-10...50 °C (operating), -20...50 °C (storage)	-10...50 °C (operating), -20...+50 °C (storage)	-10...50 °C (operating), -20...50 °C (storage)
SE56 blind	-20...40 °C (operating and storage)	-20...40 °C (operating and storage)	-20...40 °C (operating and storage)
Standards, directives and certifications			
Protection class	IP65 and IP67 (compact version, SE56 standard or SE56 blind) IP65 (remote version, SE56 standard) IP68 (remote version and junction box filled with resin, SE56 standard) IP65 (compact version, SE56 basic)		
Standards and directives CE	The applied standards, which verify conformity with the EU Directives, can be found on the EU Type Examination Certificate and/or the EU Declaration of conformity (if applicable)		

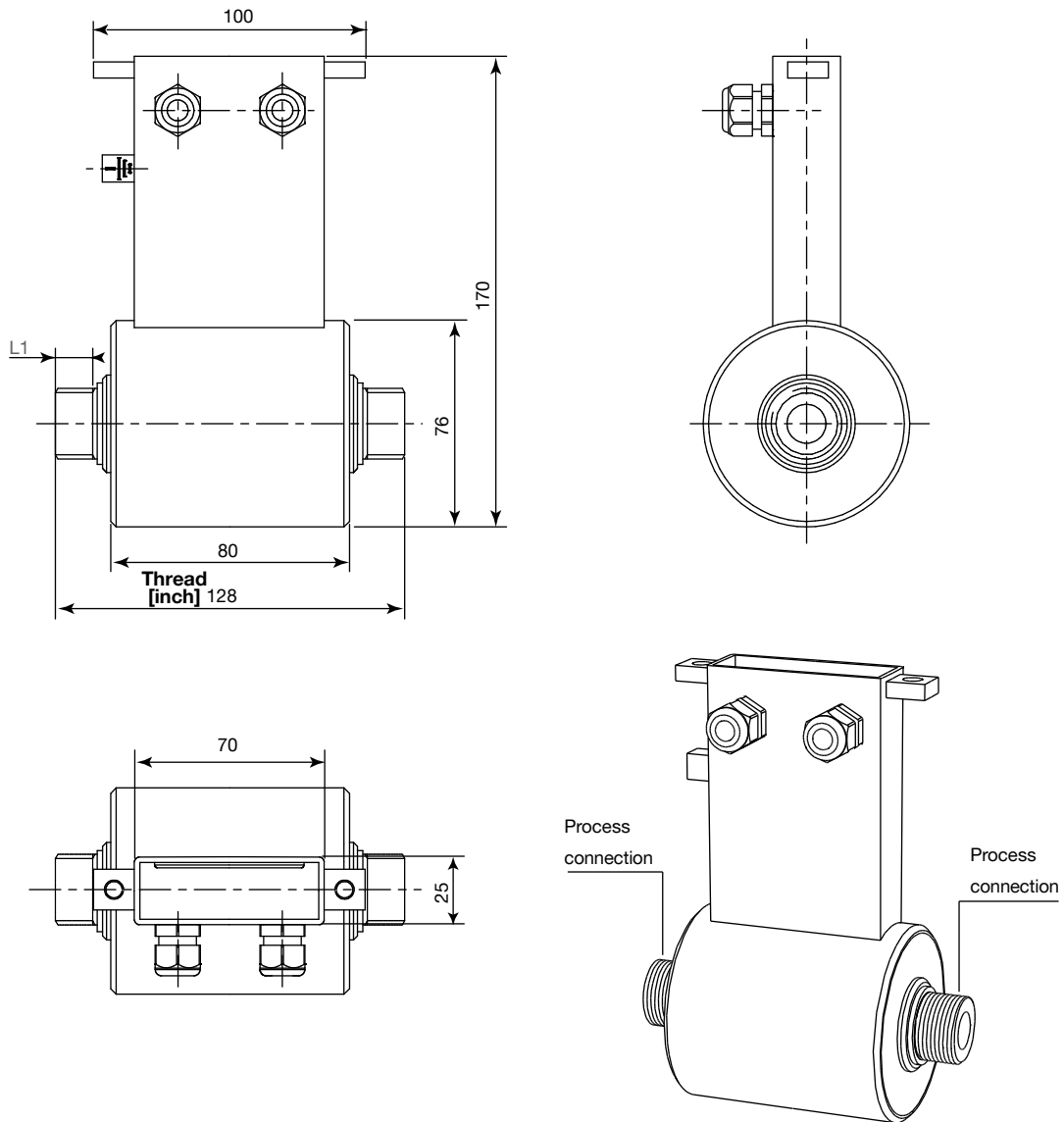
1) under reference conditions: water temperature = 20 °C, ambient temperature = 25 °C, constant flow rate during the test, liquid speed > 1 m/s

Options

- Various sealing materials
- Larger sizes are available as standard
- Individual calibration certificate
- Remote versions (10/20 m cable, IP68), blind version
- Stainless steel body and EN or ANSI/DIN flanges for S055
- PTFE lining and PN40 pressure class for S054 and S055
- 2 relay outputs NO/NC 2A-250V AC, 60W 125V AC
- Hart, Profibus, RS232, RS485

Dimensions [mm] of Type S051 sensor fitting (without full lining) – compact version

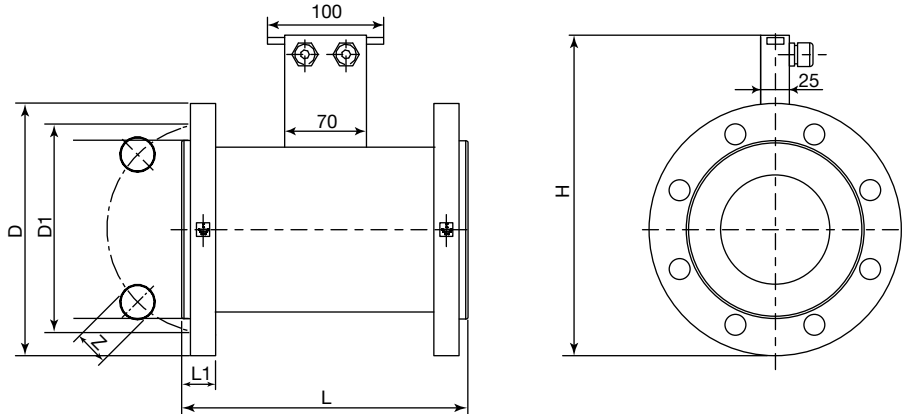
NOTE: Dimensions of SE56 electronics



DN	Thread	L1
03	G or NPT ¼	16.4
06	G or NPT ⅜	16.4
10	G or NPT ½	17.4
15	G or NPT ¾	20.0
20	G or NPT 1	20.0

Dimensions [mm] of Type S055 sensor fitting – compact flanges version

NOTE: Dimensions of SE56 electronics

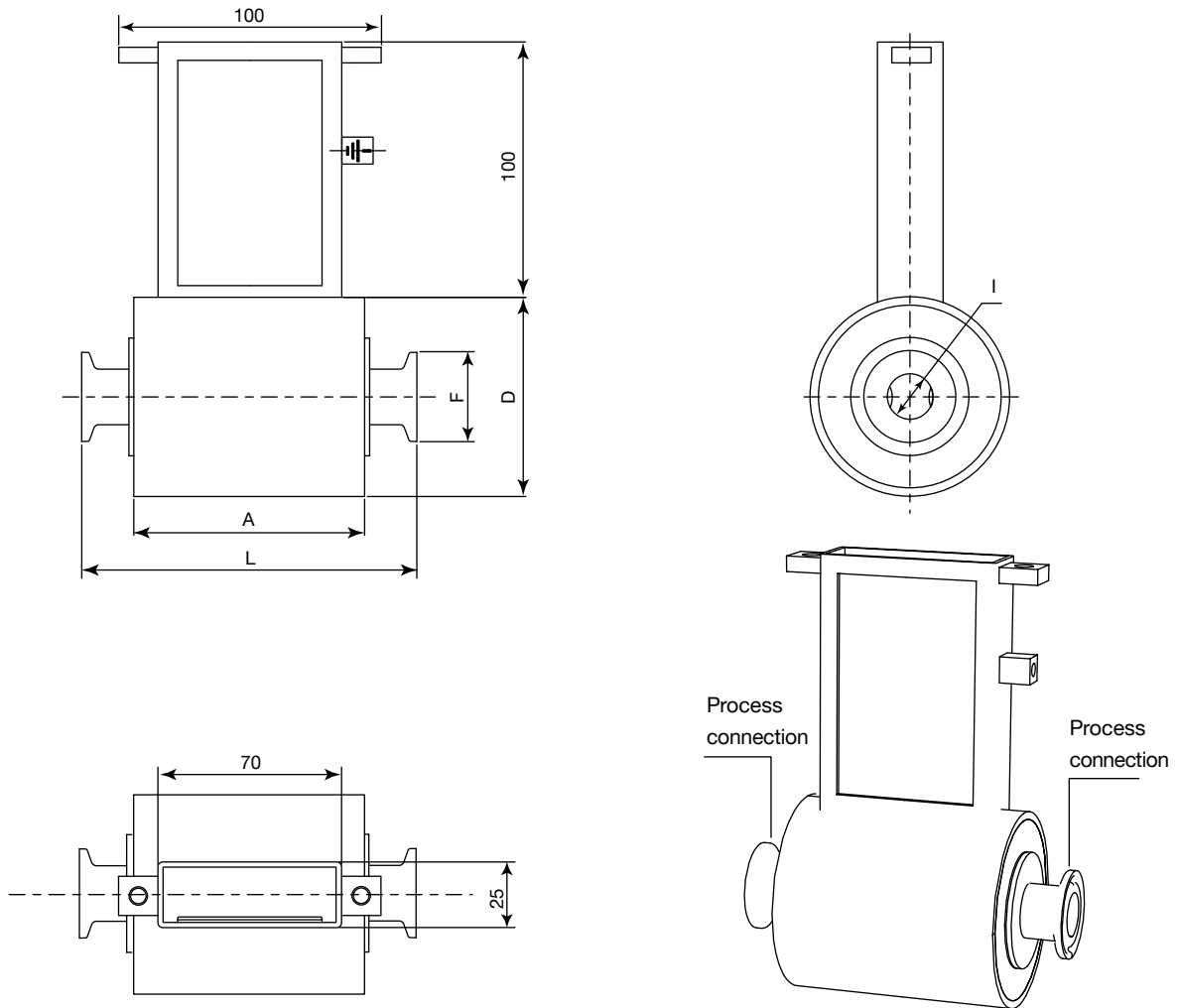


S055 compact or remote, with flanges PN16

DN	H	L	Standard	L1	Z	D1	D
25	185	200	EN1092-1	18	4x14	85	115
	182		ANSI 150 RF	16,3	4x15,9	79,4	107,9
32	203	200	EN1092-1	18	4x18	100	140
	192		ANSI 150 RF	17,9	4x15,9	88,9	117,5
40	213	200	EN1092-1	18	4x18	110	150
	202		ANSI 150 RF	19,5	4x15,9	98,4	127
50	228	200	EN1092-1	18	4x18	125	165
	222		ANSI 150 RF	21,1	4x19	120,7	152,4
65	248	200	EN1092-1	18	4x18	145	185
	245		ANSI 150 RF	24,3	4x19	139,7	177,8
80	263	200	EN1092-1	20	8x18	160	200
	258		ANSI 150 RF	25,9	4x19	152,4	190,5
100	283	250	EN1092-1	20	8x18	180	220
	287		ANSI 150 RF	25,9	8x19	190,5	228,6
125	313	250	EN1092-1	22	8x18	210	250
	315		ANSI 150 RF	25,9	8x22,2	215,9	254
150	344	300	EN1092-1	22	8x22	240	285
	341		ANSI 150 RF	27,4	8x22,2	241,3	279,4
200	399	350	EN1092-1	24	12x22	295	340
	401		ANSI 150 RF	30,6	8x22,2	298,5	342,9

Dimensions [mm] of Type S056 sensor fitting – compact version –
 Process connection according to Clamp ISO2852 or BS4825

NOTE: Dimensions of SE56 electronics



DN	A	L	D	Standard	F	I
03	77	128	76	Clamp ISO2852	34	12.7
				Clamp BS4825	25.4	9.5
06	77	128	76	Clamp ISO2852	34	12.7
				Clamp BS4825	25.4	9.5
10	77	128	76	Clamp ISO2852	34	12.7
				Clamp BS4825	25.4	9.5
15	77	128	76	Clamp ISO2852	34	17.2
				Clamp BS4825	25.4	15.85
20	77	128	76	Clamp ISO2852	34	21.3
				Clamp BS4825	50.5	22.2
25	100	180	76	Clamp ISO2852	50.5	22.6
				Clamp BS4825	50.5	22.2
40	100	180	89	Clamp ISO2852	50.5	35.6
				Clamp BS4825	50.5	34.9
50	100	180	114	Clamp ISO2852	64	48.6
				Clamp BS4825	64	47.6
65	100	180	140	Clamp ISO2852	77.5	60.3
				Clamp BS4825	77.5	60.3
80	100	200	140	Clamp ISO2852	91	72.9
				Clamp BS4825	91	72.9



Ordering chart

8051 / 8055 / 8056

Electronics for electromagnetic flowmeters - SE56		Item no.
Stainless steel		558 306
Aluminium		558 747

Inline Flow Meter				
Connection [inch]	Orifice [mm]	Flow Range	Lining	Item no.
ISO 228-1 Inline sensor fitting - S051 - Stainless steel body				
1/4	3	0...250 l/h	PTFE	554 321
3/8	6	0...1000 l/h	PTFE	553 065
1/2	10	0...3000 l/h	PTFE	553 374
3/4	15	0...6000 l/h	PTFE	553 481
1	20	0...12500 l/h	PTFE	553 539
DIN 2501 Inline sensor fitting - S055 - Carbon steel body				
1	25	0...18 m³/h	PP	553 540
1 1/2	40	0...45 m³/h	PP	553 542
2	50	0...72 m³/h	PP	553 485
2 1/2	65	0...120 m³/h	PP	553 393
3	80	0...180 m³/h	PP	553 394
4	100	0...280 m³/h	PP	553 489
6	150	0...640 m³/h	PP	557 512
BS 4825 Hygienic clamp Inline sensor fitting - S056 - Stainless steel body				
1/8	3	0...250 l/h	PTFE	559 786
1/4	6	0...1000 l/h	PTFE	553 325
3/8	10	0...3000 l/h	PTFE	554 350
1/2	15	0...6000 l/h	PTFE	553 533
3/4	20	0...12500 l/h	PTFE	553 534
1	25	0...18 m³/h	PTFE	553 535
1 1/2	40	0...45 m³/h	PTFE	553 536
2	50	0...72 m³/h	PTFE	553 537
2 1/2	65	0...120 m³/h	PTFE	553 538
3	80	0...180 m³/h	PTFE	559 791